

PRODUCT TECHNICAL SHEET

Collection : **PILE & FACE**

Ref. : **1002.--.72**

Mélangeur de douche mural

Douchemengkraan voor wandmontage

Wall-mounted shower mixer

Picture

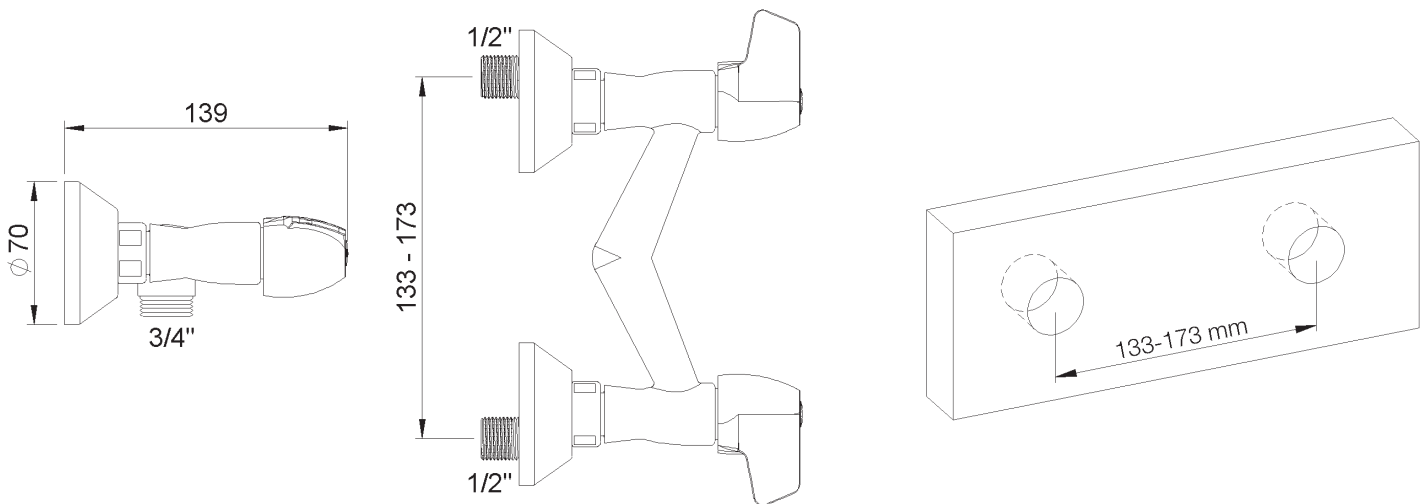
Product details

Weight : 1,7 kg



Internal mechanism : 1/3 turn compression valve

Technical drawing



RA0.V01